

Spare parts list

TASKI
swingo
250



Table of contents

TASKI swingo 250_1	3
Base	4
Mid section	6
Foot part	8
Handle	10
Squeegee	12
Electrical diagram	14

TASKI swingo 250_1

Description

Base

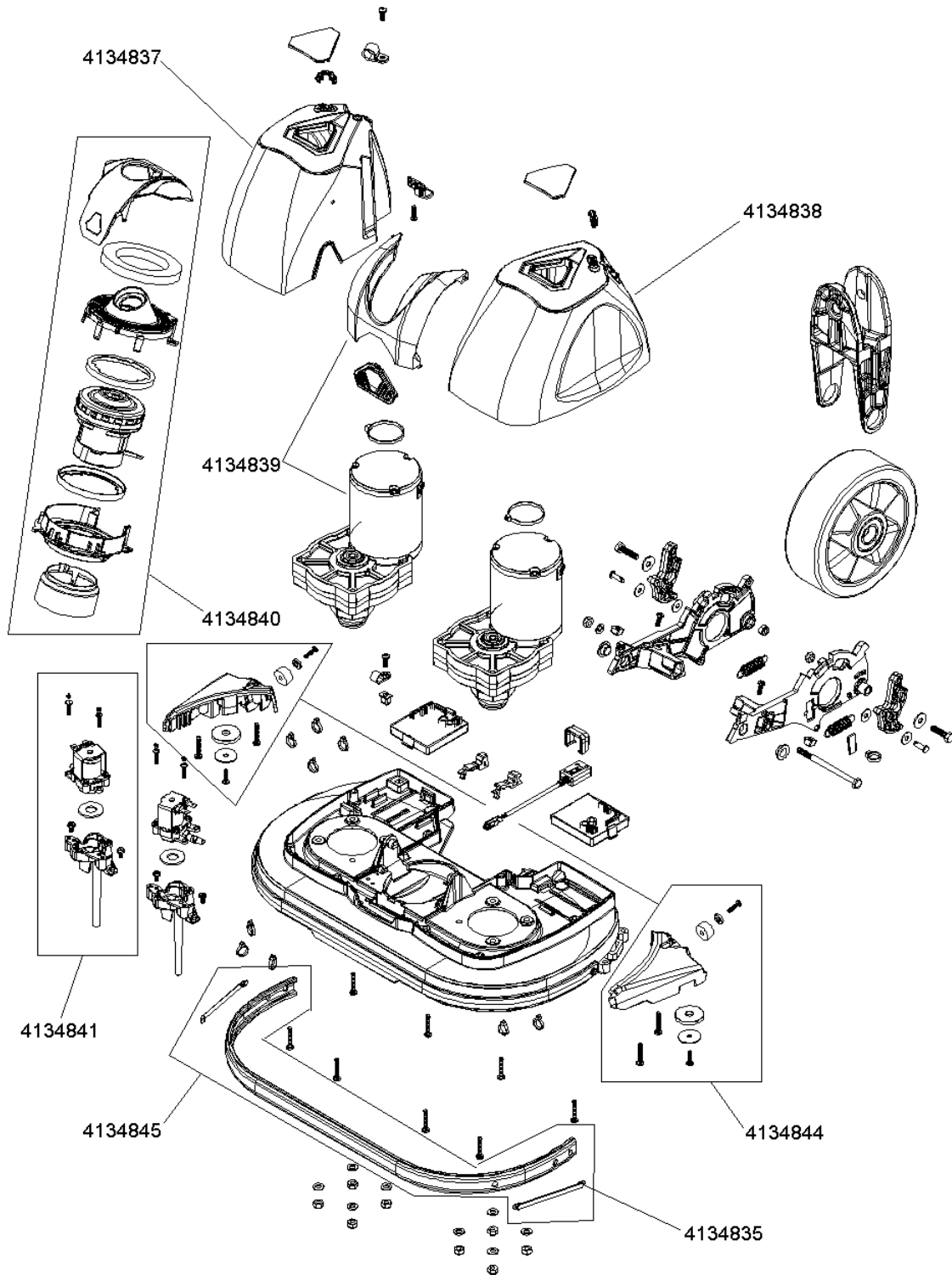
Mid section

Foot part

Handle

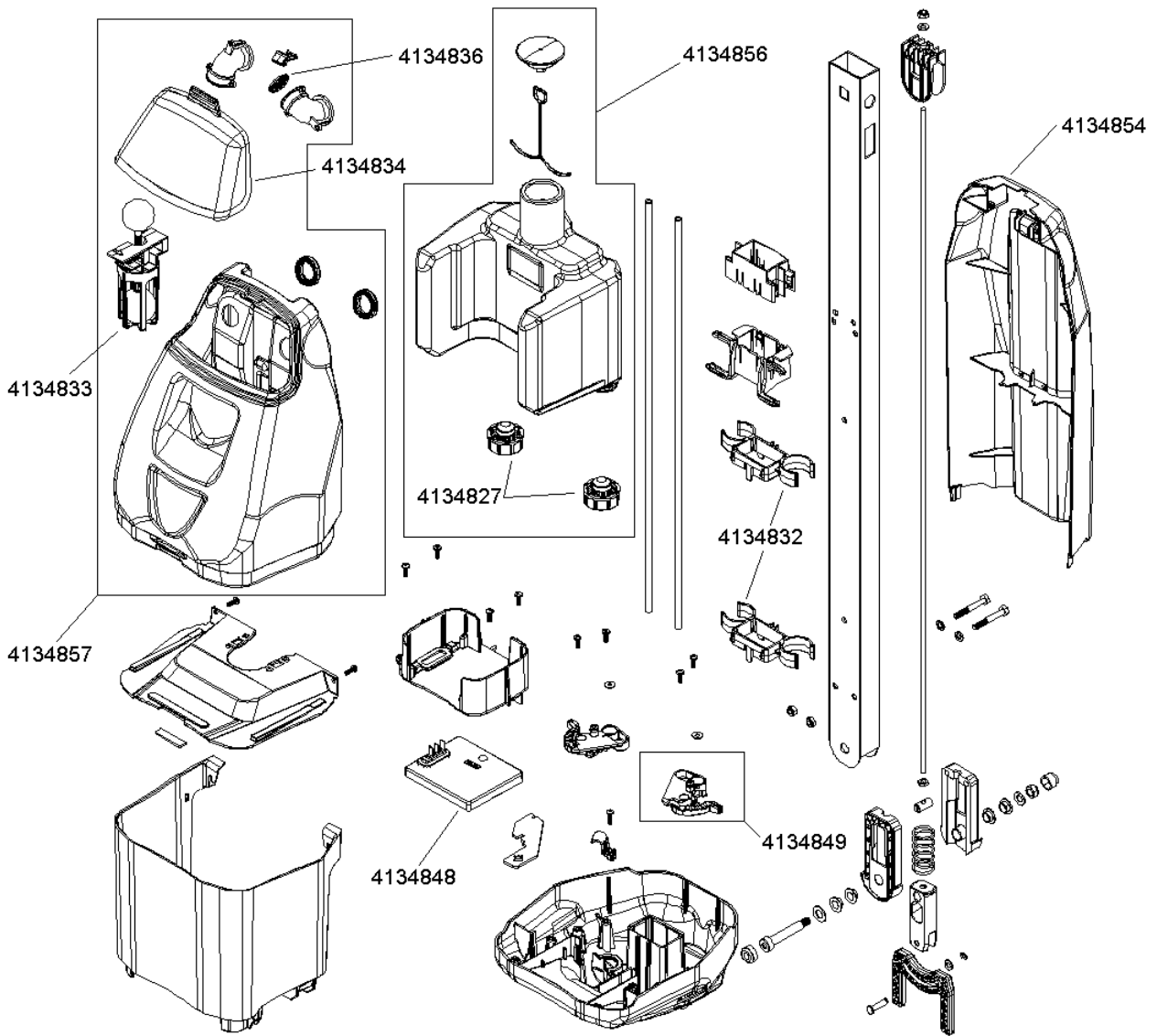
Squeegee

Electrical diagram



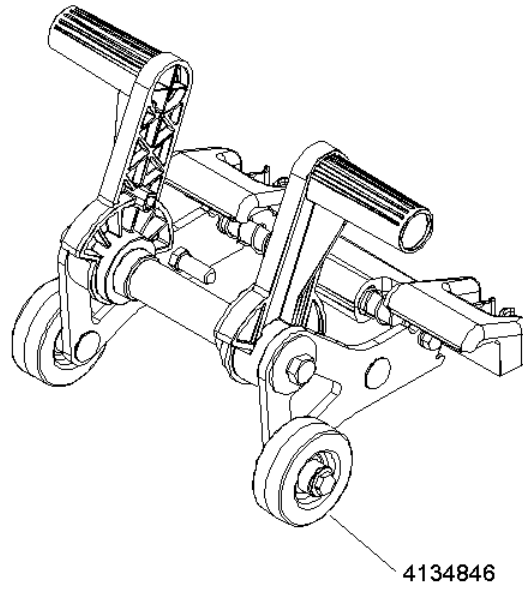
Base

Article no.	Description	Quantity	Unit
4134835	Trim glide	2	PC
4134837	Left motor cover	1	PC
4134838	Right motor cover	1	PC
4134839	Brush motor set	1	PC
4134840	Vac motor set	1	PC
4134841	Solenoid set	1	PC
4134844	Deck wing set	1	PC
4134845	Deck buffer set	1	PC



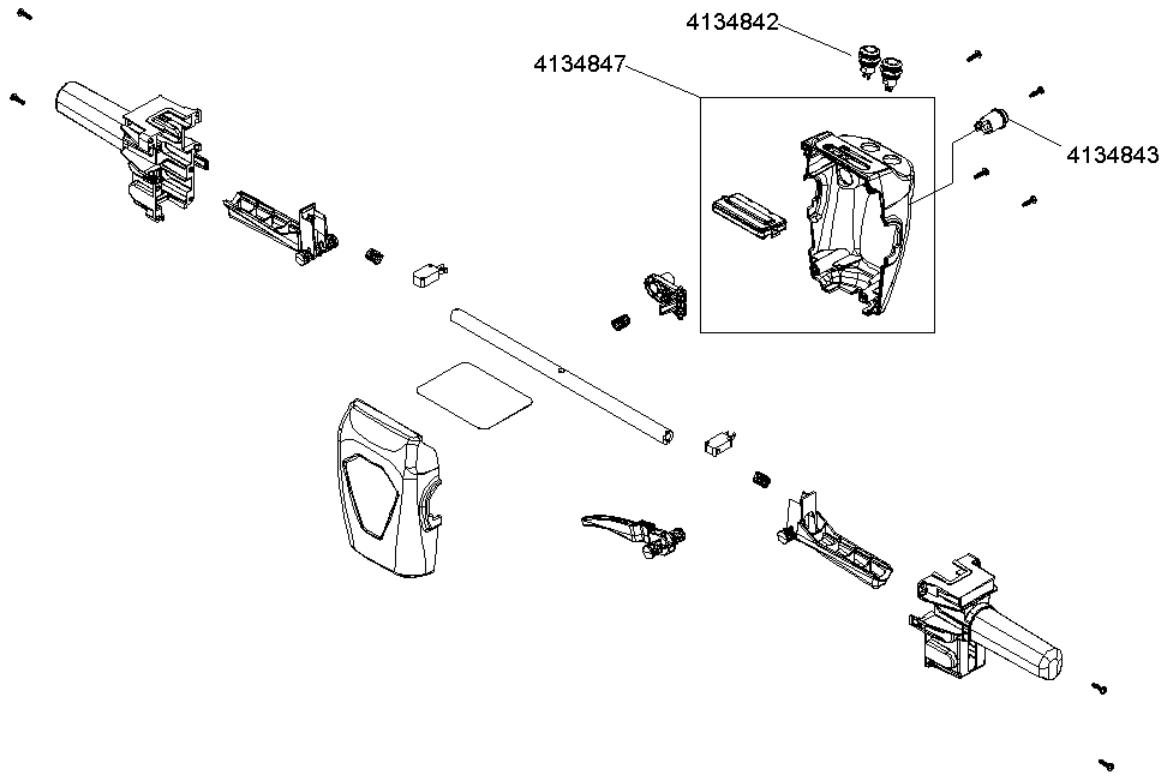
Mid section

Article no.	Description	Quantity	Unit
4134827	Clean water tank valves	2	PC
4134832	Dual hose clip	2	PC
4134833	Float	1	PC
4134834	Tank cover	1	PC
4134836	Port filter disc	1	PC
4134854	Rear cover	1	PC
4134848	Battery/Control PCB set	1	PC
4134849	Water assembly set	1	PC
4134856	Clean water tank	1	PC
4134857	Waste water tank	1	PC



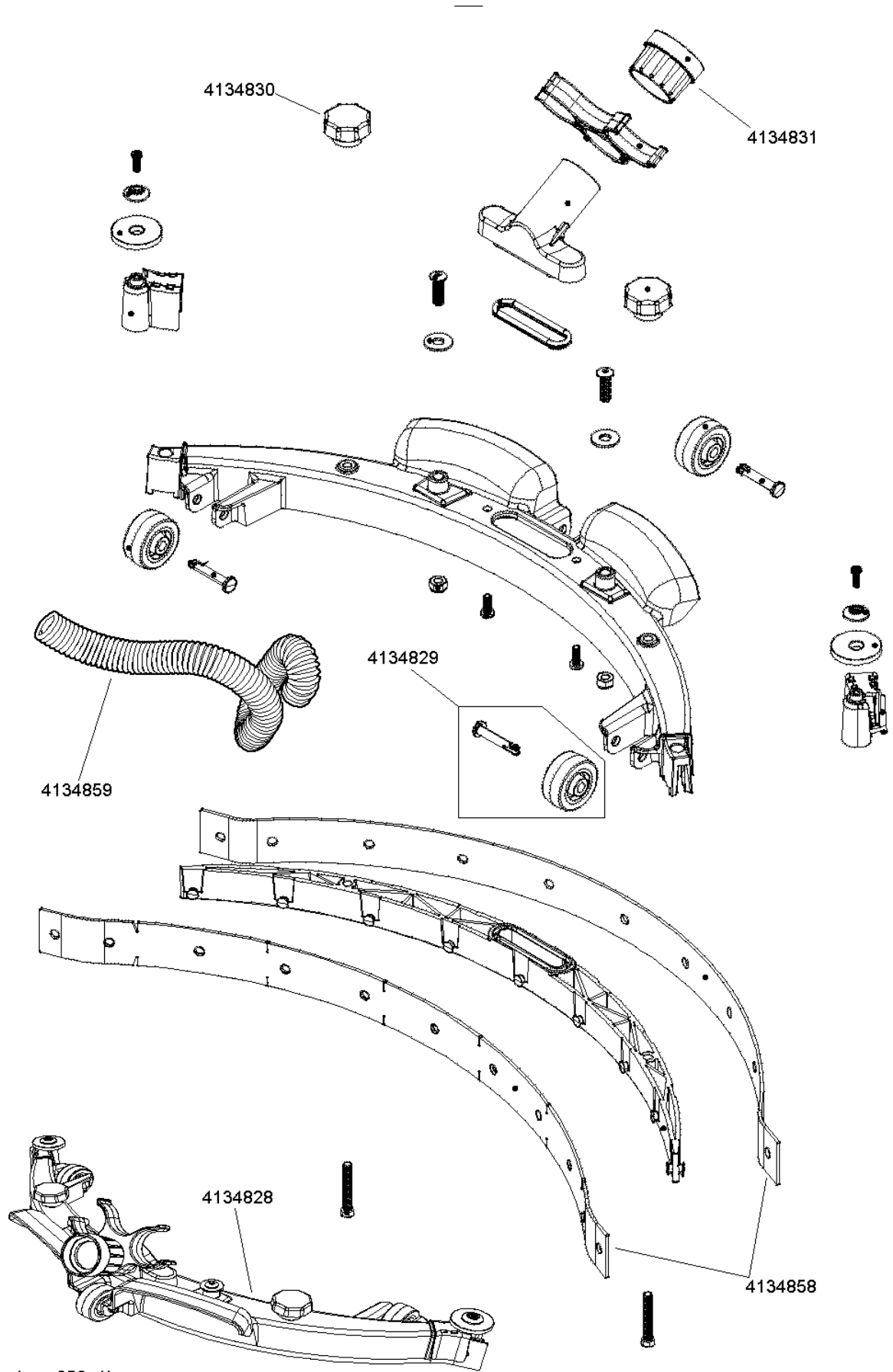
Foot part

Article no.	Description	Quantity	Unit
4134846	Rear wheels set	1	PC



Handle

Article no.	Description	Quantity	Unit
4134842	Handle vac/water switch set	2	PC
4134843	Handle safety switch set	1	PC
4134847	Handle PCB set	1	PC



swingo 250 /1

05

Squeegee

Article no.	Description	Quantity	Unit
4134828	Squeegee compl	1	PC
4134829	Squeegee wheel set	3	PC
4134830	Retaining knob	2	PC
4134831	Hose cuff	1	PC
4134858	Blade set	1	PC
4134859	Hose 24/32,8	1	PC

